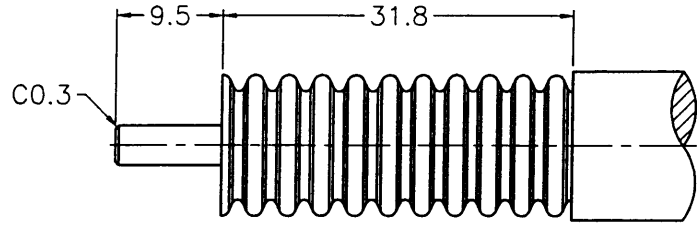


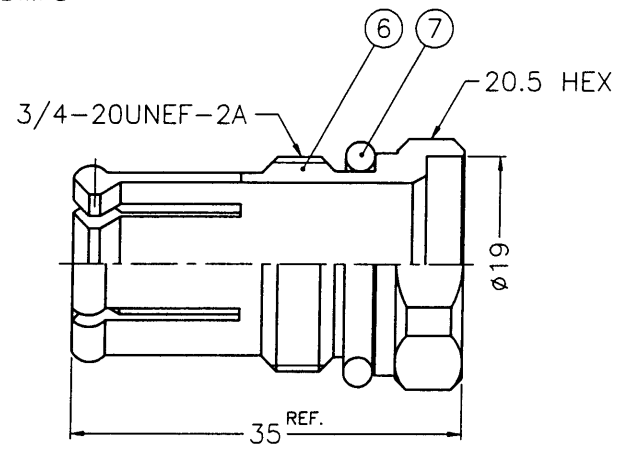
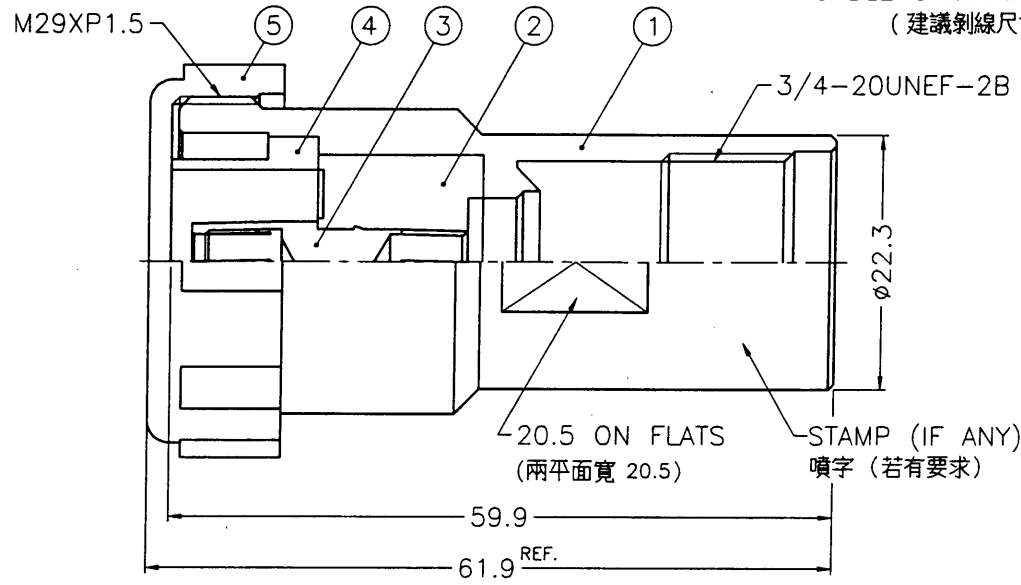
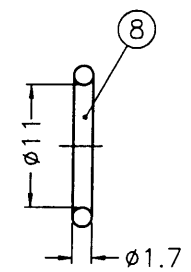
1 2 3 4 5 6 7 8

REVISIONS			
ISS	ZONE	DESCRIPTION	PER REQUEST DATE

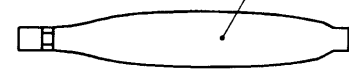
SALES



RECOMMENDED
CABLE STRIPPING DIM'S
(建議剝線尺寸)



ISSUED
2001. 6. 29
R&D



- NOTES: FINISH (PLATING THICKNESS IN MICRO-INCHES)
1. BRASS PER QQ-B-626
 2. ALBALOY PLATING (COPPER-TIN-ZINC)
 3. BERYLLIUM COPPER PER QQ-C-530
 4. SILVER PL. 200 MIN. THICK OVER COPPER STRIKE
 5. TEFLON MIL-P-19468
 6. BLUE, PER PANTONE 3005C
 7. SILICONE GREASE PER POLYTEX 55-M OR EQUIVALENT

9	LUBRICATOR	NOTE 7	NOTE 7	1	N87070302-11
8	GASKET	SILICONE	RED	1	GS-144/11XD17
7	GASKET	SILICONE	RED	1	GS-21/158XD26
6	NUT	NOTE 1	NOTE 2	1	N87070302-7
5	COVER	PE	NOTE 6	1	7166141A1-9
4	OUT CONTACT	NOTE 1	NOTE 2	1	7167071A1-2
3	CONTACT PIN	NOTE 3	NOTE 4	1	7166141A1-3-1/2A
2	INSULATOR	NOTE 5	NATURAL	1	7161141A1-2T-1/2A
1	BODY	NOTE 1	NOTE 2	1	7166141A1-1-1/2A
NO.	DESCRIPTION	MATERIAL	FINISH	Q'TY	DRAWING NO.

DIMENSIONS ARE IN MILLIMETERS		PART NO.
UNLESS OTHERWISE SPECIFIED TOLERANCES		APPROVED <i>[Signature]</i> DATE 06-21-01'
0.5-6 = ±0.2		CHECKED <i>[Signature]</i> DATE 06-21-01'
6-30 = ±0.4		DRAWN <i>[Signature]</i> DATE 06-21-01'
30-120 = ±0.6		
120-315 = ±1		
315-1000 = ±1.6		
1000-2000 = ±2.4		
SCALE 1.5/1	ISSUE A	

Amphenol - Kai Jack	
TAINAN TAIWAN	
TITLE	7/16 CLAMP JACK (FOR ANDREW 1/2" LDF4-50A HELIAX CABLE)
DRAWING NO.	KJ-7166141A1-N/NTS-1/2A-50
FILE NO.	F:\DWG\716\6141A1\12A-50\NNTS

F
E
D
C
B
A

F
E
D
C
B
A

1 2 3 4 5 6 7 8

RD-DR12416